

COMBINATION WRENCHES - INCH

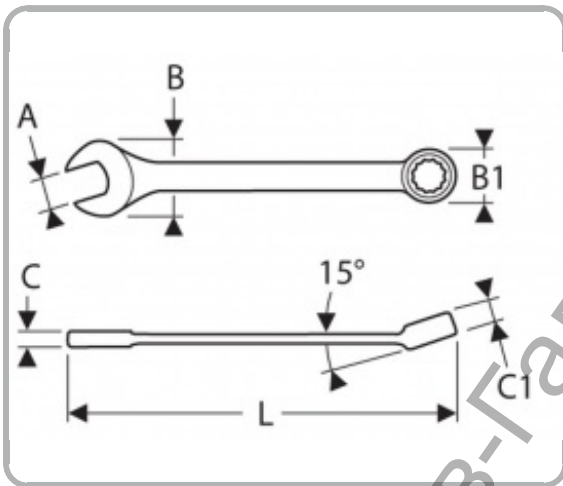


Description :

- ASME B 107-100
- 12-point OGV® ring angled at 15°.
- Open end angled at 15° from handle axis.
- OGV® profile maximizing the contact surface with the nut for a longer lifetime.
- Forged in Chrome Vanadium steel.
- High chrome finish.

Conditioning :

1



References :

	EAN	A ["]	B [mm]	B1 [mm]	C [mm]	C1 [mm]	L [mm]	[g]
E110201	3258951102015	1"5/16	68.7	49.3	11.5	17.2	380	632
E110202	3258951102022	1"3/8	73	53.4	13	18.2	410	806
E110203	3258951102039	1"7/16	73	53.4	13	18.2	410	804
E110204	3258951102046	1"1/2	76	56.5	14.5	19	430	992
E110205	3258951102053	1"5/8	83.5	61.5	15.5	20	480	1264
E110206	3258951102060	1"7/8	101.5	73.5	17.2	22.6	540	2110
E113230	3258951132302	5/16"	20.2	13.2	4	5	120	26
E113235	3258951132357	15/16"	50.7	35	8	12.9	280	293

<u>E113236</u>	3258951132364	1"	52.7	38	8	13.4	295	328
<u>E113312</u>	3258951133125	1/4"	16.2	10.4	3.7	4.5	100	15
<u>E113313</u>	3258951133132	11/32"	22.2	14.6	4	6	130	30
<u>E113314</u>	3258951133149	3/8"	23.7	16	4	6.5	140	38
<u>E113315</u>	3258951133156	7/16"	25.7	17	4.7	6.5	150	46
<u>E113316</u>	3258951133163	1/2"	28.7	20.6	5.5	7.5	170	68
<u>E113317</u>	3258951133170	9/16"	31.7	22	5.6	8	180	79
<u>E113318</u>	3258951133187	5/8"	36	24.8	5.8	9	200	110
<u>E113319</u>	3258951133194	11/16"	38.5	26.2	6.3	9.5	210	141
<u>E113358</u>	3258951133583	3/4"	42.2	29	7.1	10.4	230	150
<u>E113359</u>	3258951133590	13/16"	45.5	31.7	7.5	11.4	250	194
<u>E113360</u>	3258951133606	7/8"	48.7	33	8	11.9	260	225
<u>E113361</u>	3258951133613	1"1/16	56.2	40	8.9	14.4	310	386
<u>E113362</u>	3258951133620	1"1/8	60.2	44.6	9	15.9	340	503
<u>E113363</u>	3258951133637	1"1/4	64.7	47.3	10.6	16	360	602

Ташев-Галвинг ООД
www.tashev-galving.com